

High Powered Emergency Strobe Lamps

SAEJ595
Class 1 and 2

IP67
Protection

3 Year
Warranty

- 11 Flash Patterns
- Super Low Profile
- 3M Tape/Screw Fit
- Synchronising Wire
- High Powered 3 Watt LEDs
- SAE/J595 Class 1 and 2*
- IP67 Rated



Function Emergency Lamp

Size 98mm x 30mm x 8mm

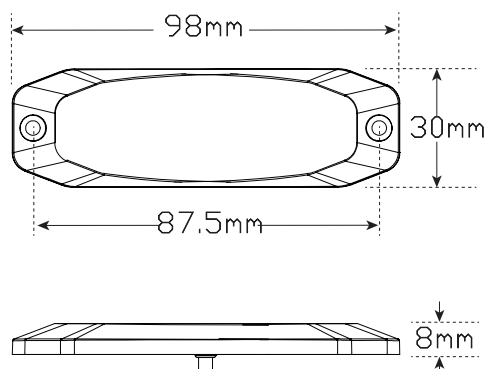
Voltage Multivolt 12-24V

LED Qty 4 x 3 Watt

Cable 25cm

Draw	Constant	Strobe
@13.8V	0.27A	0.60A
@28V	0.15A	0.34A

Approvals ECE R10 Compliant
SAE J595 Class 1 Compliant*



Flash Selection

1. Connect Red wire to power and Black wire to earth to power the lamp.
2. Tap Brown wire to power to cycle through the 11 flash patterns.
3. Hold Brown wire to power for 7 seconds to reset to the start (Constant Flash Pattern #1).

Simultaneous or Alternating Flash (when using multiple units)

1. To enter grouping mode, connect all Red and Brown wires together, then connect to power. Each lamp will flash to identify which group they belong to.
Single Flash = Group 1, Double Flash = Group 2.
2. While maintaining power to Red wires, remove the Brown wires from power.
3. To change groups, tap Brown wire to power.
Lamps that are set to the same group will flash simultaneously.
Lamps that are in opposite groups will alternate flash.
4. Once lamps are in desired group, disconnect Red wires from power then reconnect to power to exit grouping mode.
5. Connect all brown wires together to synchronise lamps. (Hold all brown wires to power for 7 seconds to reset all flash patterns to start)

NOTE: Maximum of 20 lamps can be Synchronized together.

Flash Patterns *			
1	Constant On (SAE)	7	Single all
2	Single (2Hz) (SAE)	8	Double all
3	Double (2Hz) (SAE)	9	Quint all
4	Triple (2Hz) (SAE)	10	Quad all
5	Quad (2Hz)	11	Ultra all
6	Random		



All enquiries P: (03) 9466 7075 E: led@ledtech.com.au, www.ledautolamps.com

All efforts are made to ensure all information is correct and up to date, it can be subject to change without notice. All measurements are in millimeters (mm) and are not to scale.

© All LED Technologies designs are registered throughout the world. - Current as of 22/09/2020